



Jim Sherman Memorial Northwest Championships 2014

Portland, Oregon

June 27 - 29, 2014

Rev. 06/21/2014

Men's 55/60+ Gold Division • 6 Teams

<u>Win</u>	<u>Loss</u>			<u>Win</u>	<u>Loss</u>		
1	1	1	Four Seasons/W&W (OR)	0	2	4	Vancouver USA 50 (WA)
2	0	2	Wolfpack (WA)	2	0	5	Wilson & Sons Auto (ID)
1	1	3	Timberworks Const. (CA)	0	2	6	X-Men (BC)

Friday • June 27, 2014 • William V. Owens Softball Complex at Delta Park

Time	#	Runs	Team Name	Field	#	Runs	Team Name
9:00 AM	6	8	X-Men (BC)	DS	1	22	§ Four Seasons/W&W (OR)
9:00 AM	4	13	Vancouver USA 50 (WA)	M	2	18	§ Wolfpack (WA)
10:30 AM	2	22	§ Wolfpack (WA)	DS	6	9	X-Men (BC)
10:30 AM	5	19	Wilson & Sons Auto (ID)	M	4	13	Vancouver USA 50 (WA)
12:00 PM	1	15	Four Seasons/W&W (OR)	DS	3	18	Timberworks Const. (CA)
1:30 PM	3	22	§ Timberworks Const. (CA)	DS	5	23	Wilson & Sons Auto (ID)

Saturday • June 28, 2014 • William V. Owens Softball Complex at Delta Park

Time	#	Runs	Team Name	Field	#	Runs	Team Name
9:30 AM	3	25	§ Timberworks Const. (CA)	J	6	22	X-Men (BC)
11:00 AM	1	12	§ Four Seasons/W&W (OR)	S	4	19	Vancouver USA 50 (WA)
11:00 AM	5	7	Wilson & Sons Auto (ID)	B	2	17	§ Wolfpack (WA)

§ Teams #1-3 GIVE 5-Run OR 11-Defensive-player equalizer in games vs. Teams #4-6

Seeding for Double Elimination Championship brackets commencing Saturday afternoon • See brackets

FIELD CODES: B=Budweiser • DS=Dick's Sports • DM=DeMarini • J=Jubitz • M=Marathon • S=Snapple

Format: Mixed 3-game Round Robin to seed Championship Brackets

Teams #1-3 play Double Elimination bracket for 55/60-Platinum Championship

Teams #4-6 play Double Elimination bracket for 50/55-Silver Championship

NOTE: ONE Award set in all brackets • If singleton team wins, runner-up receives 2015 T.O.C. bid

Home Runs - HR Rule of LOWER rated team in game Major = 6 per team per game, Outs

AAA = 3 per team per game, Outs AA = 1 per team per game, Outs

NOTE: SSUSA Official Rulebook §9.5 (Retrieving Home Run Balls) will be strictly enforced.

Time Limits - RR = 65 + open inn. • Bracket = 70 + open inn. • Championship game(s) = 7 innings full

Run Rules - 5 runs per ½ inning at bat (except open inning)

Tie Breakers - Head to head (in full RR only), least runs allowed, run differential, coin toss

Schedule Subject to Change at Discretion of Tournament and Field Directors



Jim Sherman Memorial Northwest Championships 2014

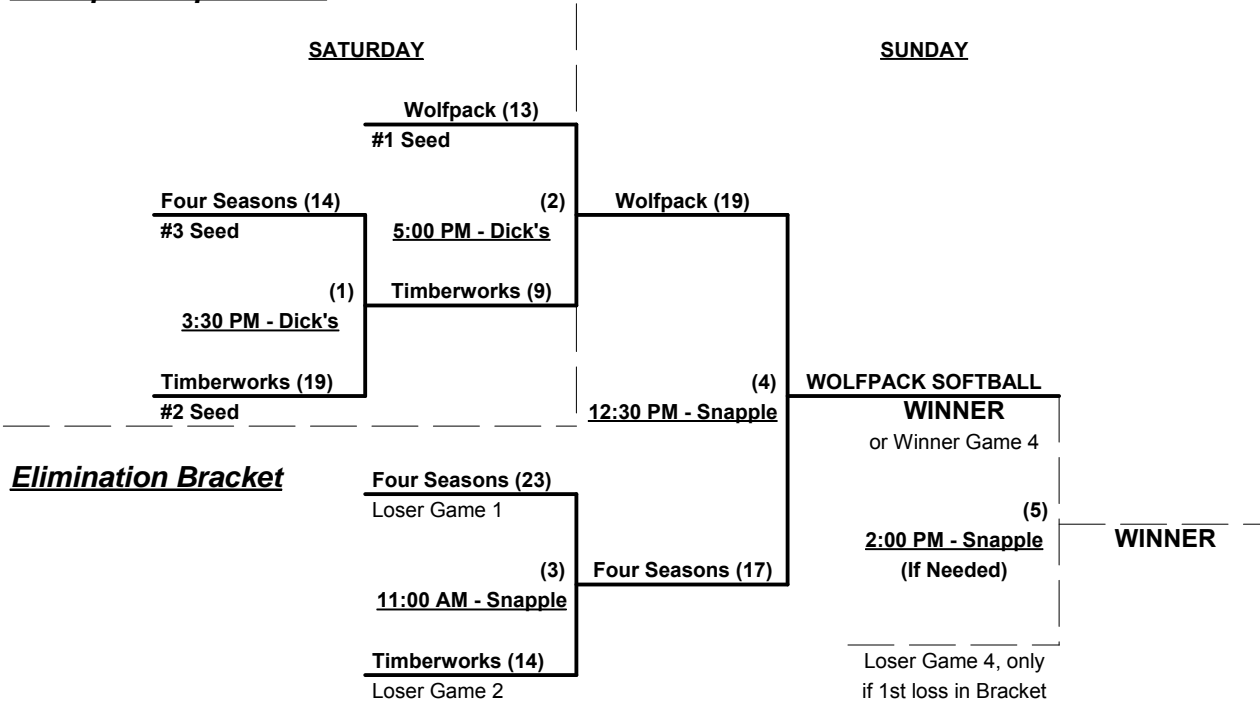
Portland, Oregon

June 27 - 29, 2014

Rev. 06/21/2014

Men's 55/60+ Platinum Division - 3 Teams

Championship Bracket



Men's 50/55+ Silver Division - 3 Teams

Championship Bracket





Jim Sherman Memorial Northwest Championships 2014

Portland, Oregon

June 27 - 29, 2014

Rev. 06/23/2014

Men's 55/60+ AA Division • 5 Teams

<u>Win</u>	<u>Loss</u>	<u>55-AA</u>	<u>Win</u>	<u>Loss</u>	<u>60-AA</u>
2	1	1 Cascade Thunder (OR)	3	0	3 Northwest Silver 60's (WA)
1	2	2 Vancouver USA 55 (WA)	2	1 (1)	4 Stagecoach Saloon (OR)
			0	3	5 Vancouver USA 60 (WA)

Friday • June 27, 2014 • William V. Owens Softball Complex at Delta Park

Time	#	Runs	Team Name	Field	#	Runs	Team Name
9:00 AM	2	16	§ Vancouver USA 55 (WA)	DM	3	11	Northwest Silver 60's (WA)
10:30 AM	1	12	Cascade Thunder (OR)	DM	2	14	Vancouver USA 55 (WA)
12:00 PM	3	18	Northwest Silver 60's (WA)	DM	5	17	Vancouver USA 60 (WA)
12:00 PM	4	19	Stagecoach Saloon (OR)	J	1	18	§ Cascade Thunder (OR)
1:30 PM	5	14	Vancouver USA 60 (WA)	J	4	15	Stagecoach Saloon (OR)

Saturday • June 28, 2014 • William V. Owens Softball Complex at Delta Park

Time	#	Runs	Team Name	Field	#	Runs	Team Name
8:00 AM	3	15	Northwest Silver 60's (WA)	DS	4	14	Stagecoach Saloon (OR)
9:30 AM	1	20	§ Cascade Thunder (OR)	DM	5	11	Vancouver USA 60 (WA)
9:30 AM	4	14	¶ Stagecoach Saloon (OR)	DS	2	20	§ Vancouver USA 55 (WA)

§ Teams #1-2 GIVE 5-Run OR 11-Defensive-player equalizer in games vs. Teams #3-5
 ¶ Exhibition for Team #4 (ONLY) • Does NOT count in Round Robin standings

Seeding for Double Elimination Championship brackets commencing Saturday afternoon • See brackets

FIELD CODES: B=Budweiser • DS=Dick's Sports • DM=DeMarini • J=Jubitz • M=Marathon • S=Snapple

Format: Mixed 3-game Round Robin to seed Championship Brackets

Teams #1-2 play Best 2 of 3 Series for 55-AA Championship

Teams #3-5 play Double Elimination bracket for 60-AA Championship

Home Runs - AA Rule = 1 per Team per Game, Outs

NOTE SSUSA Official Rulebook §9.5 (Retrieving Home Run Balls) will be strictly enforced.

Run Rules - 5 runs per ½ inning at bat (except open inning)

Time Limits - RR = 65 + open inn. • Bracket = 70 + open inn. • Championship game(s) = 7 innings full

Tie Breakers - Head to head (in full RR only), least runs allowed, run differential, coin toss

Schedule Subject to Change at Discretion of Tournament and Field Directors



Jim Sherman Memorial Northwest Championships 2014
Portland, Oregon
June 27 - 29, 2014

Rev. 06/21/2014

Men's 55+ AA Division - 2 Teams

Championship Bracket

SATURDAY

SUNDAY

Cas. Thunder (13)

(1) Vancouver 55 (11)

11:00 AM - DeMarini

Vancouver 55 (14)

(2) Cascade Thunder (17)

8:00 AM - DeMarini

WINNER

or Winner Game 2

(3)

9:30 AM - DeMarini

(If Needed)

Vancouver 55 (13)

Loser Game 2, only

if 1st loss in Bracket

**CASCADE
THUNDER
WINNER**

Cas. Thunder (17)

Loser Game 1

Elimination Game

Men's 60+ AA Division - 3 Teams

Championship Bracket

SATURDAY

SUNDAY

NW Silver (18)

#1 Seed

Vancouver 60 (15)

#3 Seed

(2) NW Silver (14)

2:00 PM - DeMarini

(1)

Vancouver 60 (16)

12:30 PM - DeMarini

Stagecoach (14)

#2 Seed

(4) Stagecoach Saloon (21)

12:30 PM - DeMarini

WINNER

or Winner Game 4

(5)

2:00 PM - DeMarini

(If Needed)

NW Silver (16)

Loser Game 4, only

if 1st loss in Bracket

**STAGECOACH
SALOON
WINNER**

Stagecoach (21)

Loser Game 1

(3)

11:00 AM - DeMarini

Vancouver 60 (20)

Loser Game 2

Stagecoach (18)

Elimination Bracket



Jim Sherman Memorial Northwest Championships 2014

Portland, Oregon

June 27 - 29, 2014

Rev. 06/21/2014

Men's 60+ Gold Division • 4 Teams

<u>Win</u>	<u>Loss</u>			<u>60-Major</u>			<u>Win</u>	<u>Loss</u>			<u>60-AAA</u>
1	2	1		Enviro-Vac Marauders (BC)			1	2	3		Aro Glass Clubbers (WA)
2	1	2		MBA Elite 60 (CA)			2	1	4		Last Call (NV)

Friday • June 27, 2014 • William V. Owens Softball Complex at Delta Park

Time	#	Runs	Team Name	Field	#	Runs	Team Name
12:00 PM	1	6	Enviro-Vac Marauders (BC)	M	2	14	MBA Elite 60 (CA)
1:30 PM	4	22	Last Call (NV)	M	3	23	Aro Glass Clubbers (WA)
3:00 PM	2	14	§ MBA Elite 60 (CA)	DS	4	17	Last Call (NV)
3:00 PM	3	14	Aro Glass Clubbers (WA)	M	1	16	§ Enviro-Vac Marauders (BC)

Saturday • June 28, 2014 • William V. Owens Softball Complex at Delta Park

Time	#	Runs	Team Name	Field	#	Runs	Team Name
12:30 PM	1	5	§ Enviro-Vac Marauders (BC)	B	4	19	Last Call (NV)
12:30 PM	3	16	Aro Glass Clubbers (WA)	M	2	17	§ MBA Elite 60 (CA)

§ Teams #1-2 GIVE 5-Run OR 11-Defensive-player equalizer in ALL games vs. Teams #3-4

Seeding for 60-Gold Double Elimination bracket commencing Saturday afternoon • See bracket

FIELD CODES: B=Budweiser • DS=Dick's Sports • DM=DeMarini • J=Jubitz • M=Marathon • S=Snapple

Format: Full (3-game) Round Robin to seed 60-Gold Double Elimination Championship bracket

NOTE: ONE Award set in all brackets • Top finishing 60-Major AND 60-AAA each receive 2015 T.O.C. bid
Home Runs - HR Rule of LOWER rated team in game

Major = 6 per team per game, Outs AAA = 3 per team per game, Outs

NOTE: SSUSA Official Rulebook §9.5 (Retrieving Home Run Balls) will be strictly enforced.

Time Limits - RR = 65 + open inn. • Bracket = 70 + open inn. • Championship game(s) = 7 innings full

Run Rules - 5 runs per ½ inning at bat (except open inning)

Tie Breakers - Head to head (in full RR only), least runs allowed, run differential, coin toss

Schedule Subject to Change at Discretion of Tournament and Field Directors

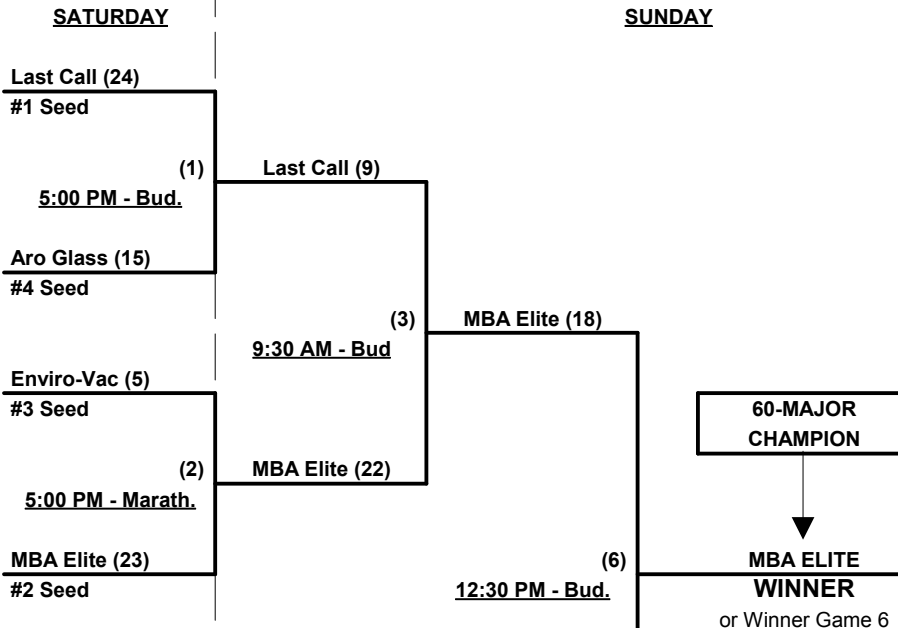


Jim Sherman Memorial Northwest Championships 2014
 Portland, Oregon
 June 27 - 29, 2014

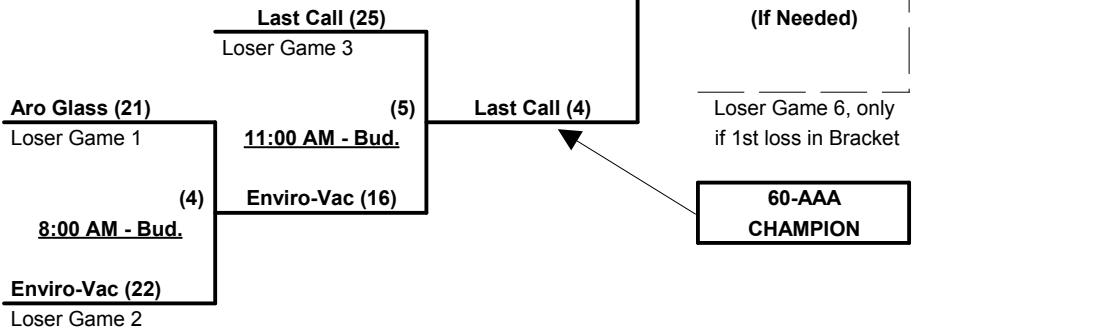
Rev. 06/21/2014

Men's 60+ Gold Division • 4 Teams

Championship Bracket



Elimination Bracket



WINNER